

MUT2200EL | MC406

ELECTROMAGNETIC FLOWMETER



EUROMAG
INTERNATIONAL

Measure > Sense > Innovate

FEATURES

Flanges:

Carbon steel (S235JR - 1.0037)

AISI 304 (*optional*)

AISI 316 (*optional*)

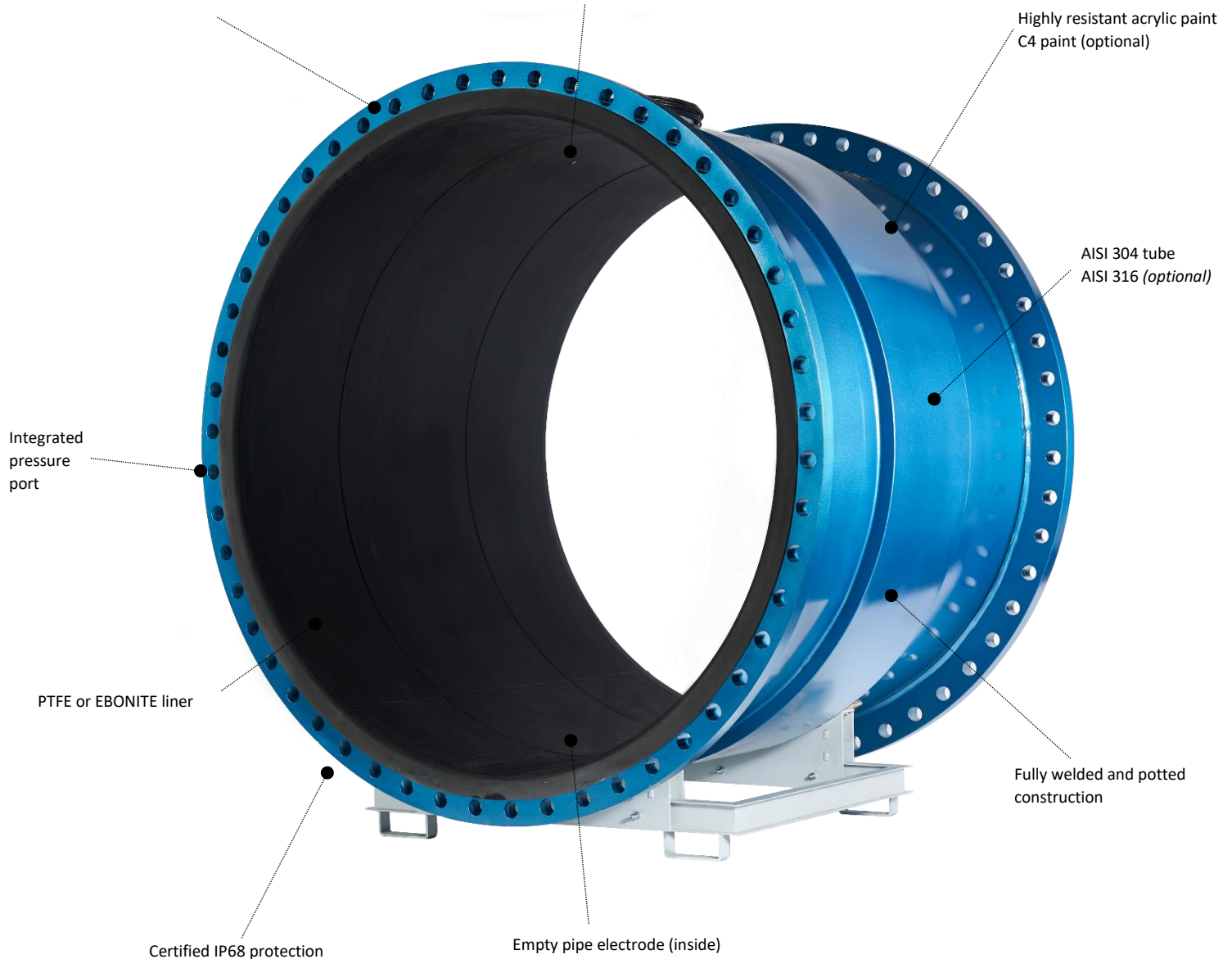
Hastelloy C electrodes as standard

Hastelloy B (*optional*)

Titanium (*optional*)

Tantalum (*optional*)

Platinum (*optional*)



MUT2200EL | MC406

ELECTROMAGNETIC FLOWMETER



EUROMAG
INTERNATIONAL

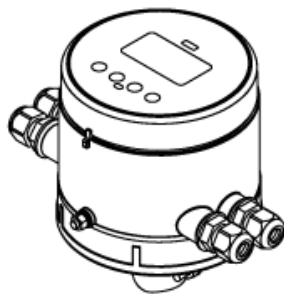
Measure > Sense > Innovate

FEATURES

- Live flowrate
- Battery power
- Bidirectional Flow reading
- Advanced self-diagnostic
- Excellent data security
- Module of temperature (optional)
- Module of pressure (optional)
- GSM/GPRS Euromag (optional)
- MID OIML R49 certified
- Compact or separate

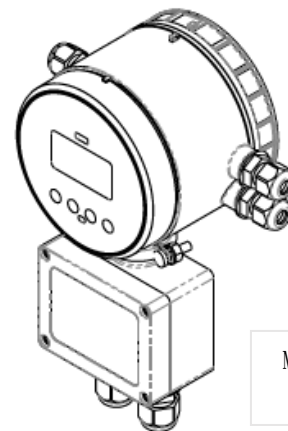
LCD display

Reliable and robust techno polymer case



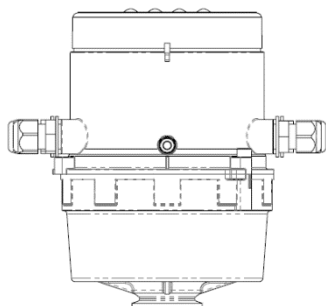
Weight 1.06 lbs

MC406 Horizontal

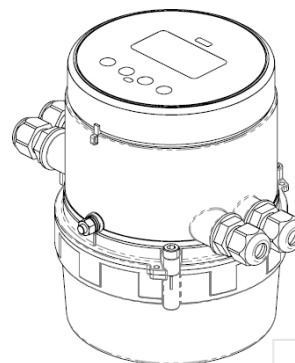


Weight 1.32lbs

MC406 separate (remote)



MC406 with GSM



MC406 with GSM

MUT2200EL | MC406

ELECTROMAGNETIC FLOWMETER



EUROMAG
INTERNATIONAL

Measure > Sense > Innovate

SPECIFICATIONS

Pipe sizes - millimeters (mm)	15 up to 2000
Pipe sizes - inches (")	1/2" 3/4" 1" 1.1/4" 1.1/2" 2" 2.1/2" 3" 4" 5" 6" 8" 10" 12" 14" 16"
Flanges	EN1092-1 PN16 to PN 40 / ANSI 150, 300, 600, 900
Flanges material	Carbon steel (std), AISI304, AISI316
Electrodes	Hastelloy C (std), Hastelloy B, Titanium, Tantalum, Platinum
Pressure	Max 16 bar
Temperature	EBONITE/HARD RUBBER -40/+80°C PTFE -40/+130°C
Accuracy	0,2% +/-2mm/s
Tube Material	AISI 304 (std) AISI316
Liner reference standard	WRAS FDA DM174 DPR777/82 DM21/09/773
Sensor Protection Degree	IP68
Repeatability	0,1%
Reference standard	2014/35/EU - 2014/30/EU - OIML R49-1:2013 - 2014/32/EU MID - UNI EN ISO 15609-1/ES ISO 15614-1
Connection	Compact or separate with cable length 30mt (battery powered) *100mt when mains powered
Digital filters	Damping - cut-off (0,05 m/s default) - bypass - peak cut
Display and keys	LCD display - Index, menu, and symbols icons for dedicated information 4 Push buttons to access all functions Totalizer informations can be displayed with 5 decimal digits
Conformity	2014/35/EU - EN 61010-1:2013 (LVD) - 2014/30/EU - EN 61326-1:2013 (EMC)
Flow Units	m, m3, l, ML, ft3, GAL
Outputs	2 pulses passive outputs (MOS), individual galvanically isolated - clean contact Maximum load +/- 35V DC, 100 mA short circuit protected. 4...20mA loop powered optional
Communication	Integrated Euromag IrComm interface
Datalogging	100,000 lines of data with a frequency of log between 1 minute and 120 minutes (default 15 minutes)
Transmitter type	Battery powered - 2 x D Cell 3,6 V * - 12/24Vdc optional
Battery life	Lithium battery pack up to 10 years
Add on modules	GSM/GPRS Euromag Module Pressure (1) and temperature (2) Energy metering ready
Custody transfer	Type approved OIML R49-1 2013 / EN 14154 MID EN-ISO 4064 - Certificate n. T10713
Totalizers	5 (2 positive, 2 negative and 1 net)
Date and time	Yes
Data protection	Password available, automatic firmware check and recover during the update
Alarms and status	Status icon displayed and alarm logged in the datalogger
Self diagnostic	Alarms available: <ul style="list-style-type: none">• excitation failure• empty pipe on the 4th electrode• high temperature• high voltage supply• pulse overlapped• wet electronic board• empty pipe on the measuring electrodes
External verification	Field vericator available for calibration verification and electronic status
Software for communication and programming	Commissioning (equal settings of meters) - Data print for documentation - Data export (CSV file) - Firmware update - Read instant flowrate - Read and write all non volatile parameters - Download internal datalogger - View instrument event logger